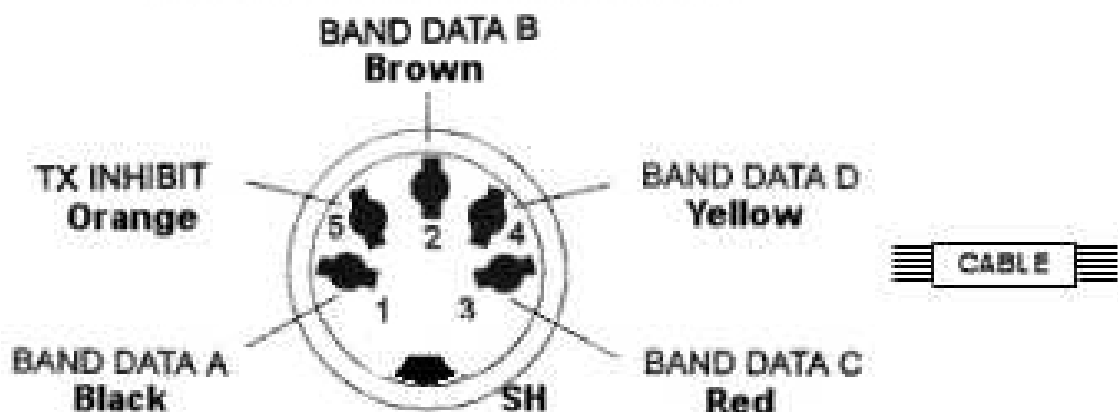


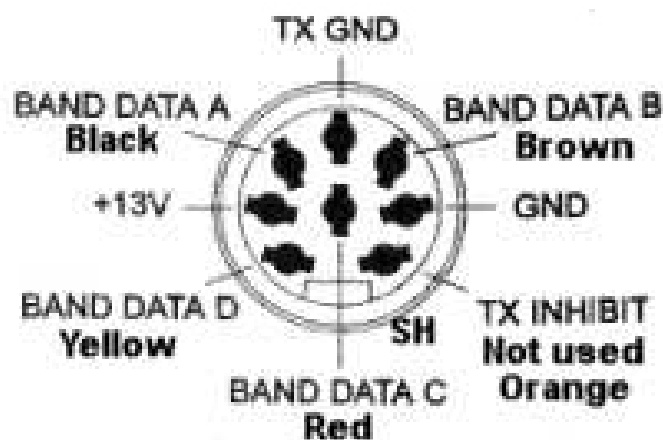
# FT1000MP BAND CABLE FOR 5B4AGN BAND FILTER BOX (ALSO WORKS WITH DUNESTAR)

W1AN 4/2/14

### Band Decoder in Filter Box



### FT1000MP Band Output



**REAR PANEL VIEW OR SOLDER SIDE OF MALE PLUG  
(USE OLD STYLE KEYBOARD OR EXTENSION CABLE)**

**REAR PANEL VIEW OR SOLDER SIDE OF MALE PLUG**

**Note: Connector Pin numbers vary but location is correct.  
Do not connect TX inhib wire at 8 pin connector. Tape up for future use.**